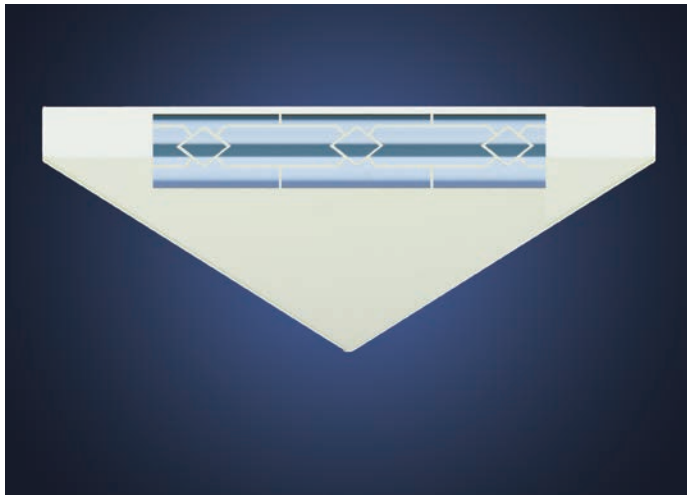




2012GT Flying Venus™

SMALL
Professional
GLUEBOARD ILT



The 2012GT Flying Venus is designed to give insects a better, more direct view of the attractant lamps. **FLYCATCH IS IMPROVED** over trap designs that hide lamps from view!

Features two F15T8BL350 (or equivalent) 15 watt insect attractant lamps, positioned for optimal performance.

Choose decorative **power cord (6 ft., 115v grounded)** or **hard-wire version**. We highly recommend ordering the optional hard-wire version for the aesthetic, cordless look. Universal and keyhole mounting slots provided.

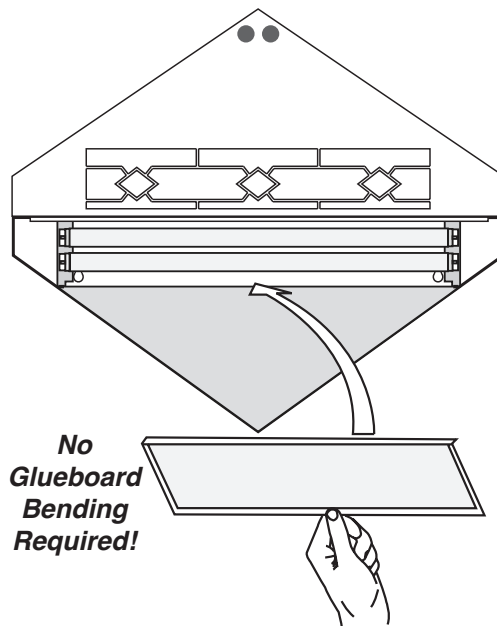
All Flying Venus™ Insect Light Traps (ILTs) are available in four beautiful finishes: **Brass, Antique Brass and Textured Black or Textured White vinyl-coated aluminum**.

Dimensions: 24-1/2" x 9-1/2"H. Depth slopes from 6-1/8" at top to 1-5/8" at bottom point. Installation: To meet ADA requirements, mount bottom of trap at least 6' 4" high in halls, corridors, walks, passageways, or isles. (See ADA rules: gilbertinc.com/ada.htm).

One Year Warranty (excluding lamps & glueboards)



ILTs equipped with 20 watt lamps are the superior choice for wall sconce traps. However, this little double 15 watt trap will get you by when all you need is a little help from your friends.



**No
Glueboard
Bending
Required!**

The 2012GT Holds our Standard (16-7/8" x 4-7/8") Glueboard, Flat!

See Also:
gilbertinc.com/glueboard.htm

Gilbert® Manufacturing Plant

JONESBORO, AR, USA



Don Gilbert

**Company Founder
Insect Light Trap Pioneer
(1923-1993)**



Gilbert® has produced leading designs since Don Gilbert built the first, truly professional ILT in 1967. Gilbert® invented low mounting, corner mounting, multi-purpose portability, and superior catching ability.

Yet, it was not his trap designs, but his philosophy that was the true key to his success. Don's idea of ILTs, as only one tool in his bag, to be applied with a sincere desire to help customers in any way he could, was simple and honest. His efforts were so successful, Gilbert® was granted a registered trademark.

Don's son, David, now president, joined his father in 1981 and began applying what he knew of science to ILTs, picking his father's brain, doing his own research.

Gilbert® continues to offer the best in both glueboard and electrocuting ILTs and to lead the way away from gimmicks, toward true professionalism. Keep us informed of your experiences. Together, we will continue the fight for sincere, scientific use of professional ILTs.

All Gilbert® Professional ILTs are C-UL-US Listed and exceed all known codes - FDA, USDA, EPA, etc. We use only high quality component parts and warranty every Gilbert® trap.



PHONE (800) 643-0400
MON - FRI 7AM - 3:30PM CT

See: gilbertinc.com

For The Most Up-to-Date Info Available!

Gilbert Industries, Inc., 5611 Krueger Drive, Jonesboro, AR 72401-6818
PHONE: (870) 932-6070 FAX: (870) 932-5609