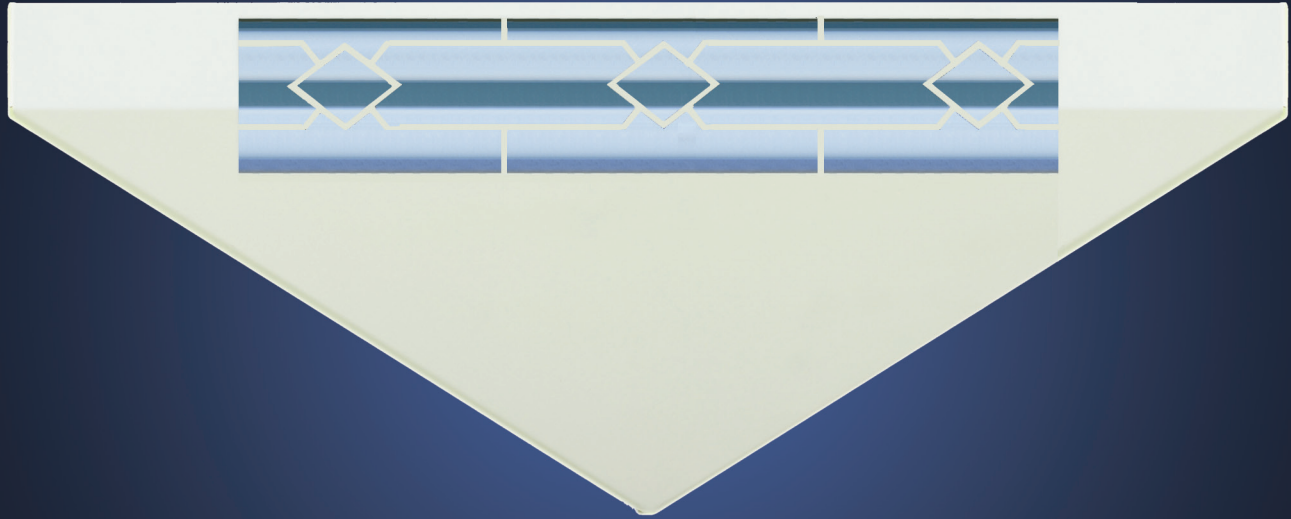




# The New 2012 Flying Venus™ !



*Designed To Replace the 1999GT!*

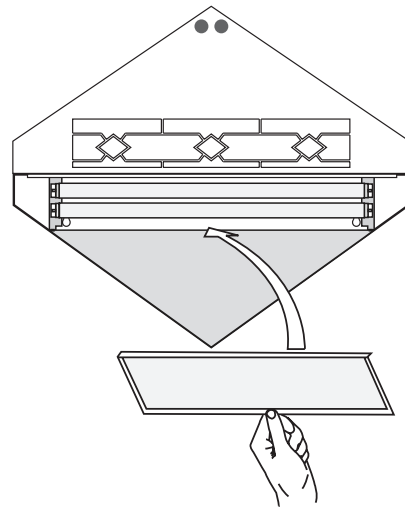
**The NEW 2012GT Flying Venus is designed to give insects a better, more direct view of the attractant lamps than the classic 1999 design. FLYCATCH IS IMPROVED 16% (See research on the flip side) !**

**2012GT Features:** Two 15 watt Sylvania® F15T8/350BL/ECO insect attractant lamps, positioned for optimal performance.

Dimensions: 24-1/2" x 9-1/2"H. Depth slopes from 6-1/8" at top to 1-5/8" at bottom point. Installation: To meet ADA requirements, mount bottom of trap at least 6' 4" high in halls, corridors, walks, passageways, or isles. (See ADA rules: gilbertinc.com/ada.htm).

Choose decorative **power cord (6 ft., 115v grounded) or hard-wire version.** We highly recommend ordering the optional hard-wire version for the aesthetic, cordless look. Universal and keyhole mounting slots provided.

All Flying Venus™ flytraps are available in four beautiful finishes: **Brass, Antique Brass and Textured Black or Textured White vinyl-coated aluminum.**



**No  
Glueboard  
Bending  
Required !**

The 2012GT  
Holds our Standard  
(16-7/8" x 4-7/8")  
Glueboard, Flat !!!



See Also:  
[gilbertinc.com/glueboard.htm](http://gilbertinc.com/glueboard.htm)

FLY LAB	ROOM		NUMBER OF FLIES TRAPPED		FLY AGE	New Lamps in both.
5611	#2		2012GT	Classic 1999GT	IN DAYS	
DATE	°F	%Rh				COMMENTS
9/23/11	74	30.9	74	46	2	2012GT on right
9/26/11	75	31.5	128	93	5	
9/27/11	75	31.4	82	51	6	
9/28/11	74	30.8	147	72	7	
9/29/11	74	31.1	110	64	1	Switched Sides next test
9/30/11	75	30.7	94	66	2	
10/3/11	74	30.9	77	44	5	
10/4/11	74	31.2	67	48	6	
10/5/11	75	30.9	81	39	1	
10/6/11	75	30.6	73	45	2	Switched Sides next test
10/7/11	75	32.1	66	30	3	
10/10/11	74	30.3	50	33	6	
10/11/11	75	31.7	58	27	1	
10/12/11	73	30.4	49	36	2	
10/13/11	74	32.5	79	50	3	Switched Sides next test
10/14/11	74	31.9	38	52	4	
10/17/11	73	31.4	52	38	7	
10/18/11	74	30.2	61	48	8	
10/19/11	74	34.8	35	47	1	
10/20/11	75	36.1	80	63	2	Switched Sides next test
10/21/11	73	33.3	46	50	3	
10/24/11	74	34.2	32	27	6	
10/25/11	74	31.6	38	35	7	
10/26/11	74	32.4	54	42	1	
10/27/11	75	30.3	60	38	2	Switched Sides next test
10/28/11	75	29.6	33	30	3	
10/31/11	74	28.7	43	36	6	
11/1/11	75	35.9	67	45	1	
11/2/11	73	33.6	35	29	2	
11/3/11	75	34.7	44	29	3	Switched Sides next test
11/4/11	74	29.8	48	24	4	
11/7/11	74	30.9	35	19	7	
11/8/11	75	31.5	39	27	1	
11/9/11	75	30.5	41	32	2	
11/10/11	74	31.7	66	60	3	Switched Sides next test
11/11/11	73	34.2	57	50	4	
11/14/11	73	33.8	82	67	7	
11/15/11	75	31.4	74	66	8	
11/16/11	74	29.6	66	48	9	
11/17/11	74	30.1	80	65	7	Switched Sides next test
11/18/11	75	31.3	51	40	1	
11/21/11	75	33.5	46	31	2	
11/22/11	73	29.8	70	62	3	
11/23/11	74	30.2	99	88	4	
			2807	2032		
			TOTAL	4839		
			58.01%	41.99%		

2012GT has two 15W lamps stacked on top of one another

**gilbertinc.com** Phones (800) 643-0400 (870) 932-6070 FAX (870) 932-5609

Gilbert Industries, Inc., 5611 Krueger Drive, Jonesboro AR 72401-6818

