



215GT Sticky Little Fox

Professional
GLUEBOARD
ILT



The Gilbert® Sticky Little Fox™ can be wall-mounted or mounted under-counter. It features stainless steel construction (guard door included), easy maintenance; and silent-capture at a low, stunless price. Now, with two glueboard trays.

Insect Attractant: Two F15T8BL350 (or equivalent) 15 watt lamps. Replace annually..

Installation: Wall-mount with keyhole slots or mount under-counter with screws. Generally speaking, low positioning yields best results for any flytrap against flies.

Electrical: Six foot, 3-wire grounded power cord. Standard 115v/60hz.

Maintenance: Stainless steel guard swings up for easy access to lamps and glueboard(s) for periodic cleaning / replacement. Two glueboard trays are now standard.

Change glueboard(s) regularly, at least as often as local codes require. Change lamps annually.

Construction Features: Stainless steel (Including guard door). Thin 3-5/8" wall-hugging profile.

ONE YEAR WARRANTY: (Excluding lamps and glueboards).

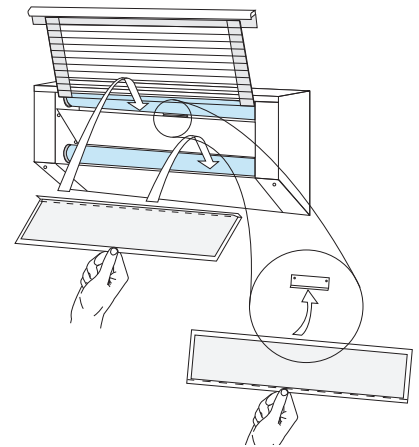


Dimensions: 21 5/8" x 11 3/8" x 3 5/8"
Weight: 12 lbs., **Ship Wt:** 13 lbs.

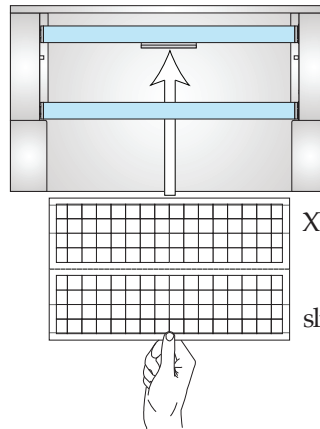
Gilbert Industries, Inc., 5611 Krueger Drive Jonesboro, AR 72401-6818
Phone: (800) 643-0400 Fax: (870) 932-5609 Website: gilbertinc.com

The Sticky Little Fox™ will hold one XL and two standard boards: 280 sq. inches of sticky trapping area!

NEW
Gilbert® 215GT
Sticky Little Fox™
accepts both the newXL
and /or classic glueboards



XL Glueboard inserts into clip in back of new 215GT trap.



XL glueboards are perforated for tearing into two standard size boards. Standard size boards (new or classic), slip into the removable trays and /or the clip.

See Also: gilbertinc.com/glueboard.htm