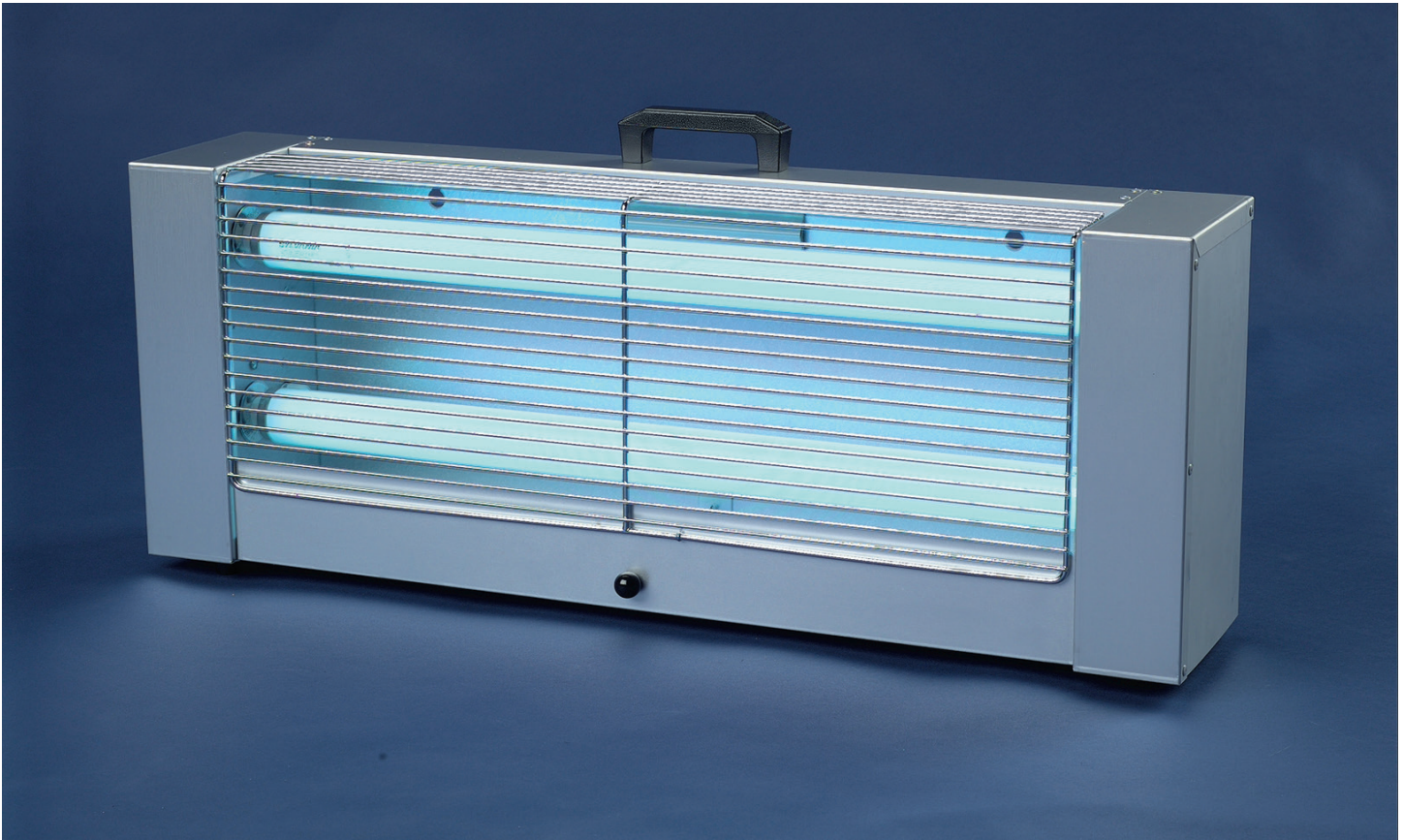




219GT Sticky Tiger™

MEDIUM
Professional
GLUEBOARD ILT



The Gilbert® 219GT Sticky Tiger™ outcatches competitors as a wall-mount or portable. Features silent capture and double-glueboard capacity at a low, stunless price. See electrocuting version (next page).

Insect Attractant: Two F20BL350 (or equivalent) 20 watt lamps. Replace annually.

Installation: Wall-mounted with keyhole slots or used as free-standing portable (handle & mar-resistant feet included). Low positioning almost always yields best results for any ILT against flies. Special order w/eyebolts for hanging.

Electrical: Six foot, 3-wire grounded power cord. Standard 115v/60 Hz. Maintenance: Spring-locked tray conceals glueboard, is secure, and yet easy to service. Guard swings up for easy access to lamps for cleaning and/or replacement. Change glueboard regularly, at least as often as codes require.

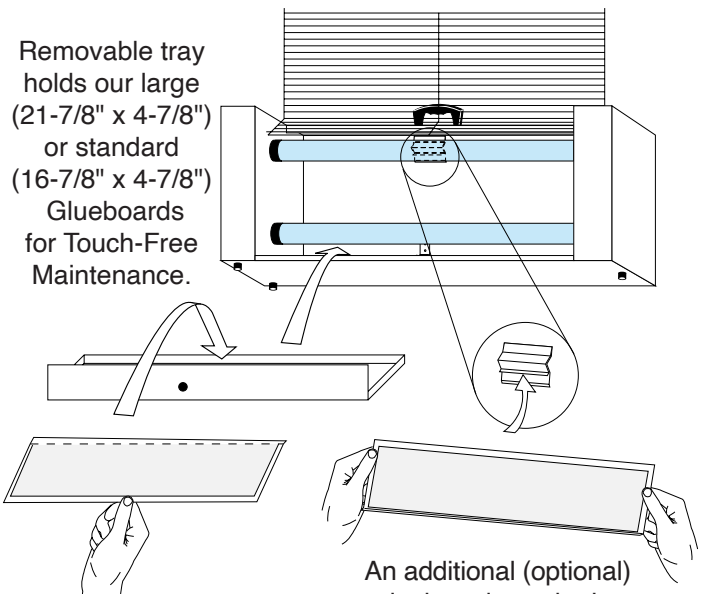
Construction Features: Frame and interior structure are aluminized steel for strength. Beautifully finished in anodized aluminum with double nickel-chromed guard.

ONE YEAR WARRANTY (Excluding lamps, glueboards).



Dimensions: 28" x 11 1/4" x 5 3/4"
Weight: 13 lbs. Ship Wt: 17 lbs.

219GT Will Hold Two Large Glueboards.



Gilbert® glueboards are scored for bending 5/8" edge. This is an optional feature to help retain glue and insects.

An additional (optional) glueboard may be inserted into the clip (behind top lamp) to increase total catch area.

See Also: gilbertinc.com/glueboard.htm

Gilbert® Manufacturing Plant

JONESBORO, AR, USA



Don Gilbert

**Company Founder
Insect Light Trap Pioneer
(1923-1993)**



Gilbert® has produced leading designs since Don Gilbert built the first, truly professional ILT in 1967. Gilbert® invented low mounting, corner mounting, multi-purpose portability, and superior catching ability.

Yet, it was not his trap designs, but his philosophy that was the true key to his success. Don's idea of ILTs, as only one tool in his bag, to be applied with a sincere desire to help customers in any way he could, was simple and honest. His efforts were so successful, Gilbert® was granted a registered trademark.

Don's son, David, now president, joined his father in 1981 and began applying what he knew of science to ILTs, picking his father's brain, doing his own research.

Gilbert® continues to offer the best in both glueboard and electrocuting ILTs and to lead the way away from gimmicks, toward true professionalism. Keep us informed of your experiences. Together, we will continue the fight for sincere, scientific use of professional ILTs.

All Gilbert® Professional ILTs are C-UL-US Listed and exceed all known codes - FDA, USDA, EPA, etc. We use only high quality component parts and warranty every Gilbert® trap.



PHONE (800) 643-0400
MON - FRI 7AM - 3:30PM CT

See: gilbertinc.com

For The Most Up-to-Date Info Available!

Gilbert Industries, Inc., 5611 Krueger Drive, Jonesboro, AR 72401-6818
PHONE: (870) 932-6070 FAX: (870) 932-5609