



The Junior™ Is A "Chip Off The Old Block"!

Junior™ features compact, space saving design. Basically, it's a short 601T, a chip off the old block. It provides advantages of the Gilbert® 601 series of traps, such as versatile corner or flat wall mounting, and a wide angle of attraction. Mount low (below 5 ft.). See *Strategic Installation: gilbertinc.com/strategic.htm*.

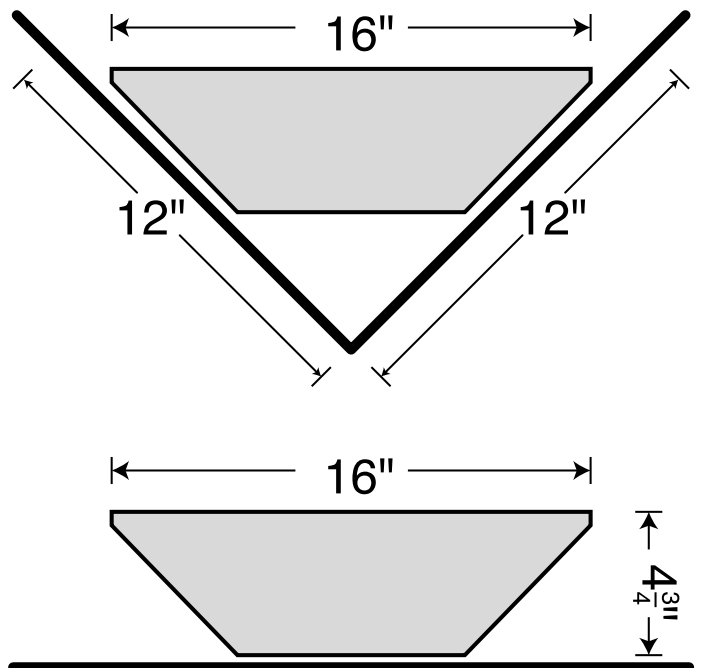
Features two F20T12BL350 (or equivalent) 20 watt insect attractant lamps. Replace annually for continued performance.

Aluminized steel construction (superior, lifetime auto muffler material) Nickel-chrome guard door swings open for easy access to grid, reflective surfaces, and lamps for periodic cleaning and lamp replacement.

Catch tray is secure; yet, easily removed for emptying.

Keyholes on back for corner or wall-mount installation. Six foot, 3-wire grounded power cord. Standard 115v/60hz. Interlock switch automatically shuts off trap when guard door is opened.

ONE YEAR WARRANTY (Excluding lamps only)!



The Junior™, mounts like the rest of the 601 series of traps, in a corner or flat against the wall.



Dimensions: 30 1/4" x 16" x 4 3/4"
Weight: 16 lbs. Ship Wt: 25 lbs.

Gilbert® Manufacturing Plant

JONESBORO, AR, USA



Don Gilbert

**Company Founder
Insect Light Trap Pioneer
(1923-1993)**



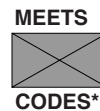
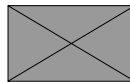
Gilbert® has produced leading designs since Don Gilbert built the first, truly professional ILT in 1967. Gilbert® invented low mounting, corner mounting, multi-purpose portability, and superior catching ability.

Yet, it was not his trap designs, but his philosophy that was the true key to his success. Don's idea of ILTs, as only one tool in his bag, to be applied with a sincere desire to help customers in any way he could, was simple and honest. His efforts were so successful, Gilbert® was granted a registered trademark.

Don's son, David, now president, joined his father in 1981 and began applying what he knew of science to ILTs, picking his father's brain, doing his own research.

Gilbert® continues to offer the best in both glueboard and electrocuting ILTs and to lead the way away from gimmicks, toward true professionalism. Keep us informed of your experiences. Together, we will continue the fight for sincere, scientific use of professional ILTs.

All Gilbert® Professional ILTs are C-UL-US Listed and exceed all known codes - FDA, USDA, EPA, etc. We use only high quality component parts and warranty every Gilbert® trap.



PHONE (800) 643-0400
MON - FRI 7AM - 3:30PM CT

See: gilbertinc.com

For The Most Up-to-Date Info Available!

Gilbert Industries, Inc., 5611 Krueger Drive, Jonesboro, AR 72401-6818
PHONE: (870) 932-6070 FAX: (870) 932-5609